

BUILT-IN MICROWAVE OVEN

USER MANUAL

MW 17 M BK

Warning notices: Before using this product, please read this manual carefully and keep it for future reference. The design and specifications are subject to change without prior notice for product improvement. Consult with your dealer or manufacturer for details. The diagram above is just for reference. Please take the appearance of the actual product as the standard.

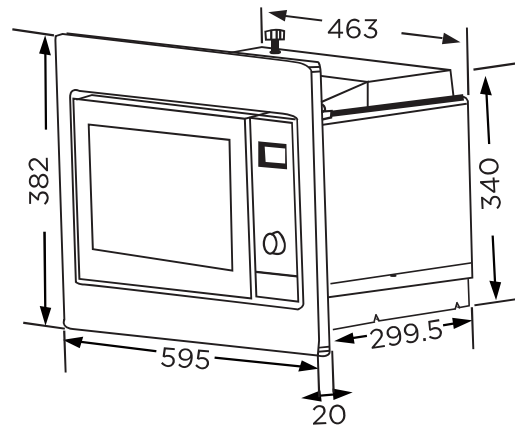
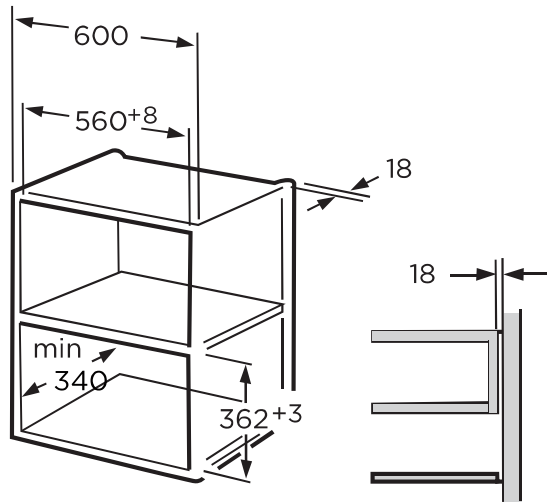
A. Built-in Furniture

The built-in cabinet shall not have a rear wall behind the appliance.

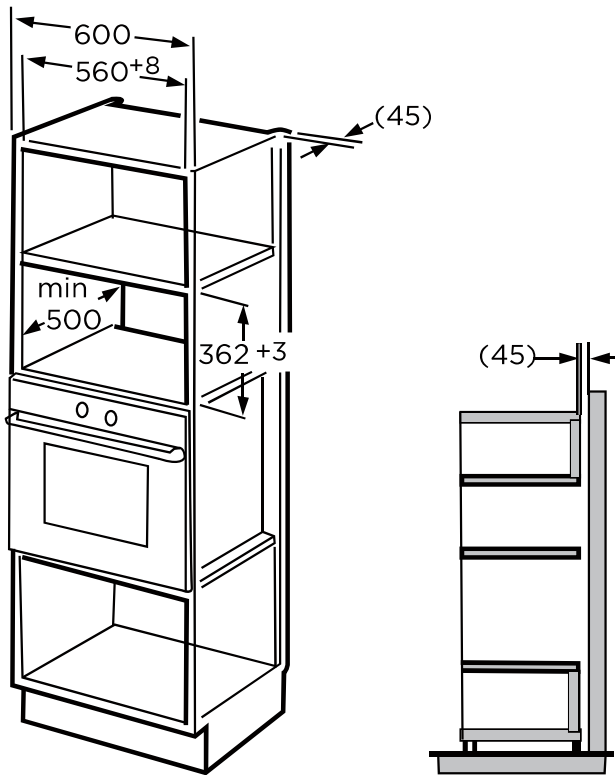
Minimum installation height is 85cm.

Do not cover ventilation slots and air intake points.

1.



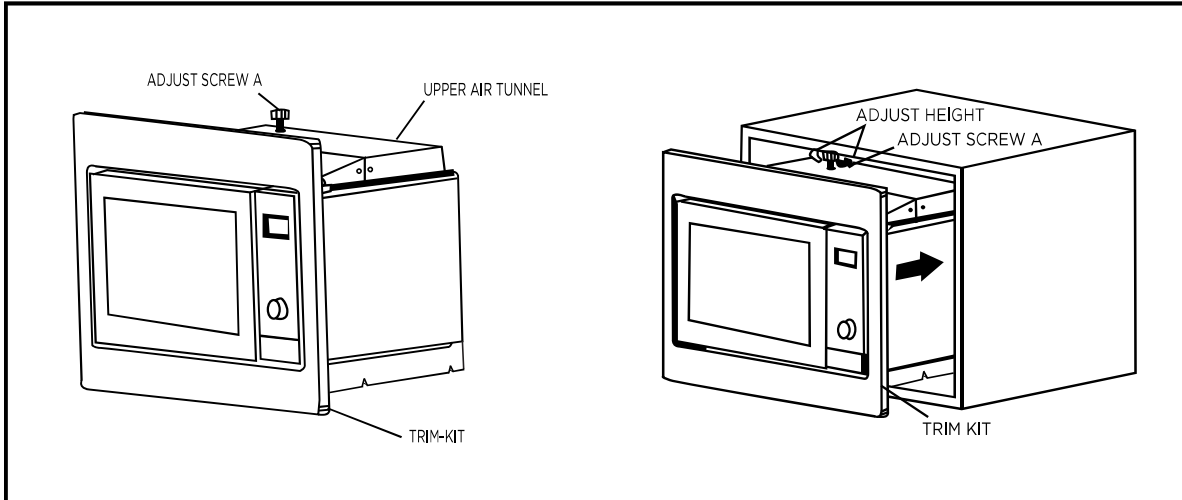
2.



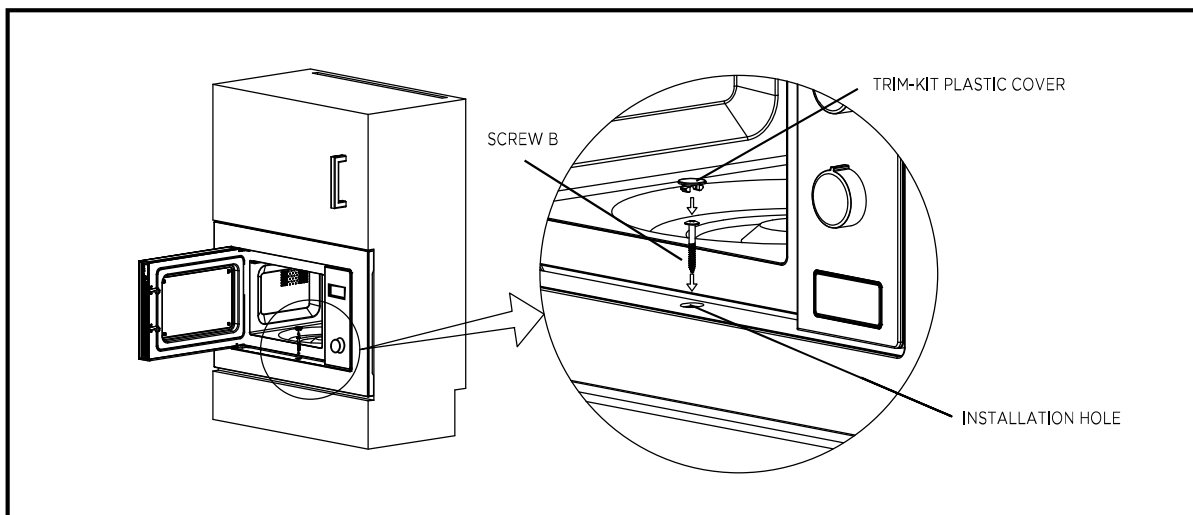
NOTE

In case of any differences between the appliance and the pictures in this manual, the product shall prevail.

B. Install the Oven



- Fix ADJSUTSCREW A on the UPPER AIR TUNNEL of the oven, and then install the oven into the cabinet.
 - Adjust the height of ADJUST SCREW A to keep 1mm gap between the ADJUST SCREW A and the top plane of cabinet.
 - Do not trap or kink the power cord.
 - Make sure that the oven is installed in the centre of the cabinet.



- Open the door; fix the oven to the cabinet with SCREW B at the INSTALLATION HOLE of TRIM KIT. Then fix the TRIM-KIT PLASTIC COVER to the INSTALLATION HOLE.